

Terradonis

Terradonis

PRECISION ROLLER SEEDER

JP3

and

JP6

User

Manual



Kertcenter.com
Sikeres Modern Mezőgazdaság

Terradonis is a registered trademark of ICS



Terradonis is a registered trademark of ICS



SUMMARY

IDENTIFICATION AND FEATURES

p.3 Identification and characteristics

Your detailed seeder

p.4 Cautions of use

Procedure for an optimum start-up of the seeder

p.5-6 Settings

For use adapted to your specific needs

p.7-9 Sowing seeds in rows

Seed distance table
Correspondence rollers/crops

p.10-11 Removal of the hopper for positioning of the roller

Step by step routine

p.12-13 Diagram and spare parts list for JP-3

p.14-15 Diagram and spare parts list for JP-6

p.16 Consumables lists for JP-3 and JP-6

p.16 Add-on hopper

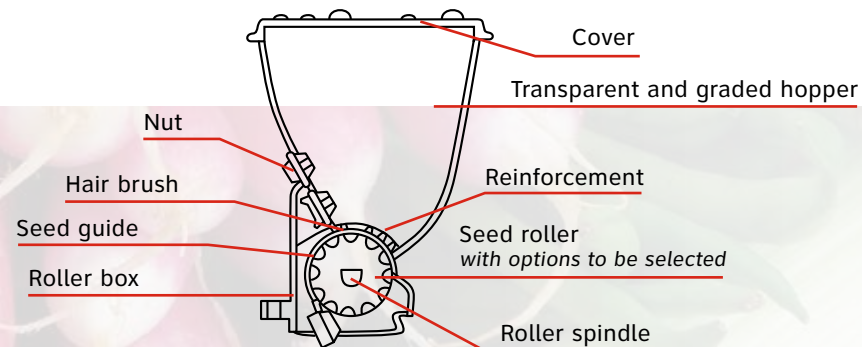
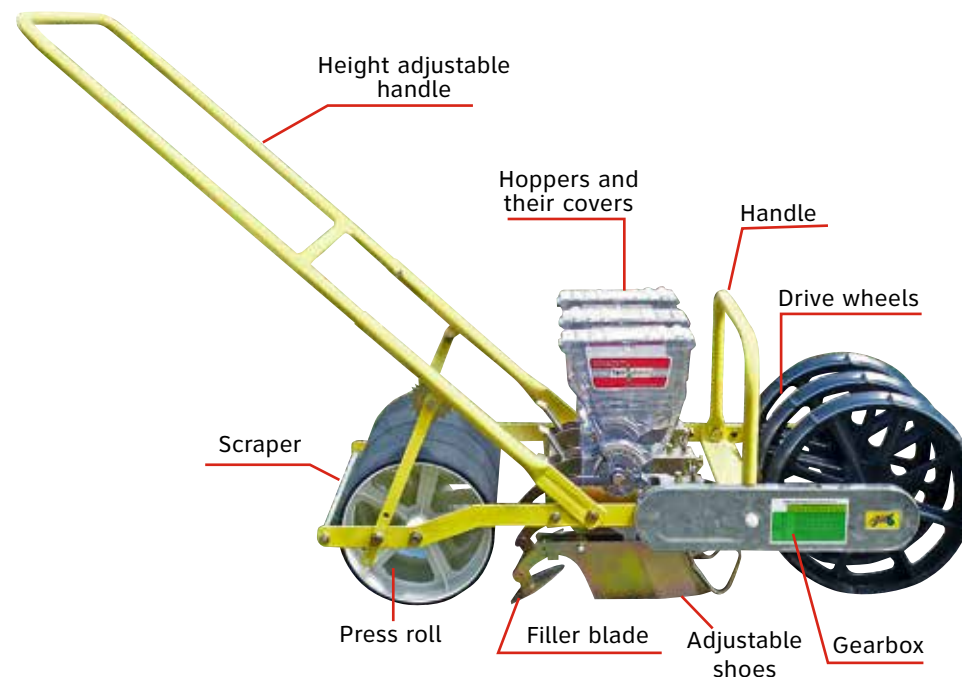
p.17 Our different shoes

Types and mounting

p.18 Addition/Suppression of seeding element

Step by step routine

p.19 Notes



Terradonis is a registered trademark of ICS

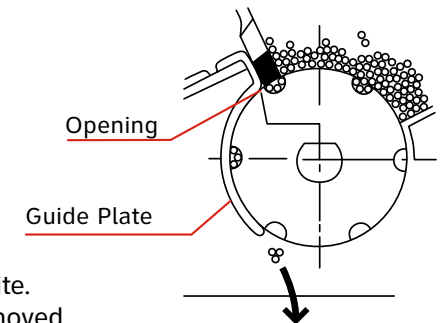
INSTRUCTIONS FOR USE

- Lubricate all rotating parts except the seed roller.
- The brush, the guide plate, the spongy rubber of the transmission wheel and the spongy rubber of the compaction wheel are consumables. Check them regularly and replace as necessary.
- Make sure the seedbed is uniform.
- Check whether the seed roller is caked in dirt, pesticides or seed casing residues. If it is, it should be cleaned.
- Prepare a seedbed by carefully hoeing and levelling.
- When you sow beans or grains, a bypass can occur in the seed hopper. In this case, gently tap the hopper and fill the hopper half full instead.
- When you disassemble the sower, make sure the free roller is not caked in dirt, etc. ...

SETTINGS

- **BRUSH:** In its default position, the brush lightly touches the seed roller. To increase the volume of seeds, put the brush in a high position (loosen the wing nut and lift the brush).
If you use coated seed: The brush should touch the seeds, and exercise slight pressure on them. It is necessary to find the right adjustment for your seeds, because if the brush is too low, it will wear very (too) quickly. If it is too high, the seeds will break.

- **GUIDE PLATE:** The guide plate forms a cavity between the roller, the brush and the guide plate. Without this space, the seeds might break. The end of the guide plate must be in close contact with the roller. If the guide plate becomes misaligned, you can realign it using the diagram opposite. In a general way, guide plate should be removed as soon as the brush is raised.



- **SEEDING DISTANCES:** The distances between the seeding can be adjusted by adjusting the pinions and the number of holes in the roller, see the seed distance table.

Note: the actual planting distances may vary depending on soil quality and speed of work. Test intervals based on the ground before you start planting.

SETTINGS

→ ADJUSTMENT OF INTER-ROW DISTANCE:

1 Unscrew the wing bolt in order to release the seeding element.



2 Let it slide along the axles. Graduation bar can help to settle the distance according to your need.



...SETTINGS

- **PLANTING DEPTH:** Planting depth may be adjusted by lowering or raising the shoe.
- **SOIL COVER:** Adjust the angle of the filler blade for optimal soil cover.
- **HEIGHT OF THE HANDLE:** The handle height can be adjusted by loosening the screws at the base of the fork of the handle and the buttons on each of its removable parts and by adjusting them according to your needs.
- **CLEANING:** If soil sticks to the compaction wheel, the contact surface must be cleaned before it sticks (it might deposit oil or dirt).
- **HOPPER COVER:** The hopper cover is made of different molded holes representing the holes of the different rollers offered. They will enable you to verify that seeds and rollers are well-chosen and suitable. Under each mold, the size of the hole. The table below shows the sizes of the roller holes enabling you to find the roller that you need.

TABLE OF ROLLER HOLE SIZES (in mm)

Ref.	Hole size	Hole depth	Length if hole in X	Ref.	Hole size	Hole depth	Length if hole in X
<i>The letter indicates the type of hole. Refer to the table of distances to decide on the right number of holes for your needs.</i>							
A	13,50	6,00	-	R	9,00	3,50	-
AA	12,00	6,00	-	S-4	SPECIAL FORM (19mm x 8mm)		
C	11,00	5,50	-	U-4	SPECIAL FORM (19mm x 10mm)		
F	5,00	2,50	-	X	4,00	2,00	-
FJ	5,00	3,00	-	XY	2,50	1,20	5,00
G	9,00	4,50	-	XYX	2,00	1,20	4,00
J	SPECIAL FORM (½ hole of 1.5mm)			Y	3,50	1,50	-
L	7,00	2,50	-	YJ	3,00	2,00	-
LJ	7,00	3,70	-	YK	3,50	2,30	-
M	5,00	2,00	-	YX	2,50	1,50	-
MJ	6,00	3,50	-	YXX	2,50	1,80	-
MM	6,00	2,50	-	YYJ	3,00	1,70	-
N	SPECIAL FORM (16mm x 6mm)			YYX	2,00	1,8	-
Q	8,00	3,00	-	Z without hole	External diameter 59.85mm		

SOWING SEEDS IN ROWS

→ **The quantity of seed is adjusted by the combination of 3 elements:**

- Number of holes on the seed roller
- Size of the holes in the seed roller
- Number of sprocket teeth used

For the **number of holes you need**: refer to the table of distances below:

TABLE OF DISTANCES (in mm)

		NUMBER OF TEETH PER SPROCKET										
		Front	14	14	13	13	11	11	10	11	10	10
Number of holes per seed roller	Back	9	10	10	11	10	11	11	13	13	14	14
	2	320	360	380	420	460	500	540	580	640	700	760
	3	210	230	250	280	300	330	360	390	430	460	510
	4	160	180	190	210	230	250	270	290	320	350	380
	6	105	115	125	140	150	165	180	195	215	230	255
	8	80	90	95	105	115	125	135	145	160	175	190
	10	64	72	76	84	92	100	108	116	128	140	152
	12	53	58	63	70	75	83	90	98	108	115	128
	16	40	45	48	53	58	63	68	73	80	88	95
	20	32	36	38	42	46	50	54	58	64	70	76
	24	27	29	32	35	38	42	45	49	54	58	64
	30	21	24	25	28	31	33	36	39	43	47	51
36	18	20	21	23	26	28	30	32	36	39	42	

→ **PLANTING DISTANCE:** see table above.

Feel free to contact us for any special request of seed rollers (for other dimensions than the one quoted in the table).
Quoted dimensions may vary, our website www.terraddonis.com is updated accordingly.

SOWING SEEDS IN ROWS...

...SOWING SEEDS IN ROWS

→ NUMBER OF SEEDS/HOLE:

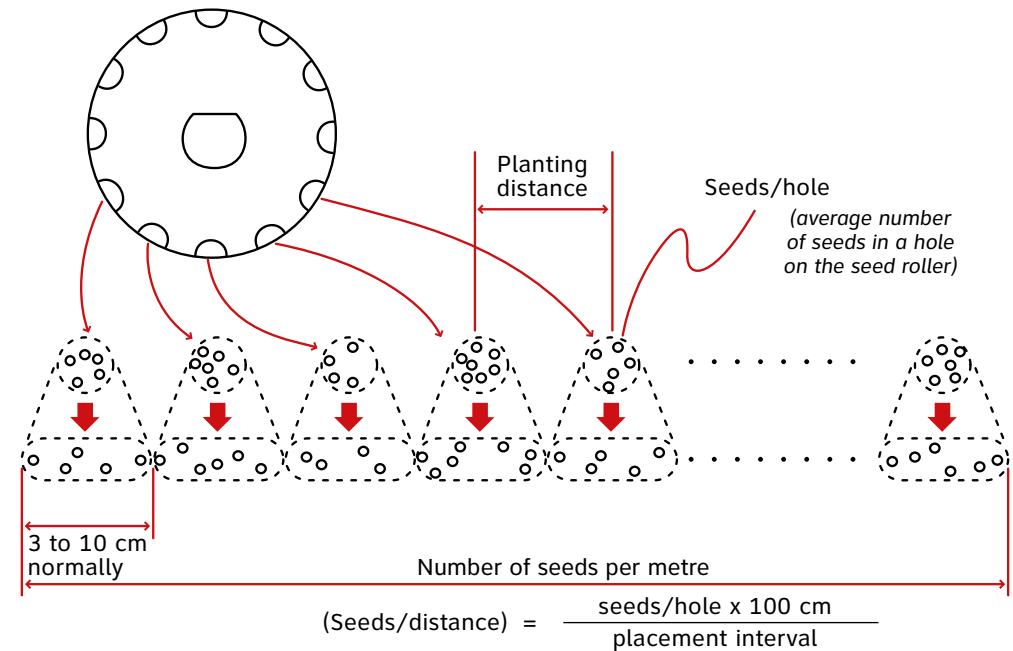
The number of seeds differs depending on seed size, which in turn depends on the species and the year and the adjustment of the brush.

Therefore numbers shown in the table of distances are given as a guideline only. Below are some examples of correspondence between rollers and crops, on the basis of one seed per hole:

EXAMPLES OF CORRESPONDENCE BETWEEN ROLLERS AND CROPS

CROP	ROLLER	CROP	ROLLER
Basil	YX24	Endive	XYY12
Beetroot	MJ12	Radish	X24
Broccoli	YYJ6	Rocket	X12
Carrot	X24, XYY24, XY24	Wheel with no hole	Z
Camomile	YYX24	Tomato	X2
Celery	YYX12	Thyme	YYX12
Chicory	XYY12	Spinach	FJ24
Cabbage	YYJ6	Fennel	X12
Pak Choi	YYJ6	Green beans	N6
Frisée	YYJ6	Lettuce (coated)	MJ12
Spring onion	Y24	Lettuce (raw)	XYY12 or 24

CROP	ROLLER
Flax	Y24
Lamb's lettuce	F24, FJ12
Mint	YYX 12 or 24
Onion (raw)	X24
Sorrel	YYX12 or 24
Parsnip	L12, L24
Parsley	YYJ24
Leek	Y24
Peas	AA12



Caution: the planting distance depends on the combination of sprocket teeth (11 adjustment positions) and the number of holes on the metering roll. The drive wheel may slip depending on soil quality and placement speed. Therefore, the number of seeds is a guideline only. If the transmission wheel skids, planting distances will be larger, reducing the number of seedlings. So make sure that the wheel does not slip.

Seed dispersal: Seeds are dispersed in a hole according to the direction of the motion until they are sown, and roll on the ground. The dispersal length varies depending on the size of the hole, the soil quality, the seed size and can vary between 3 and 10cm.

REMOVAL OF THE HOPPER FOR

POSITIONING OF THE ROLLER

1 Press the metal element to unclip the hopper, then lift.



2 Unclipped element.



3 Unscrew the white knob and open the retractable portion of the hopper



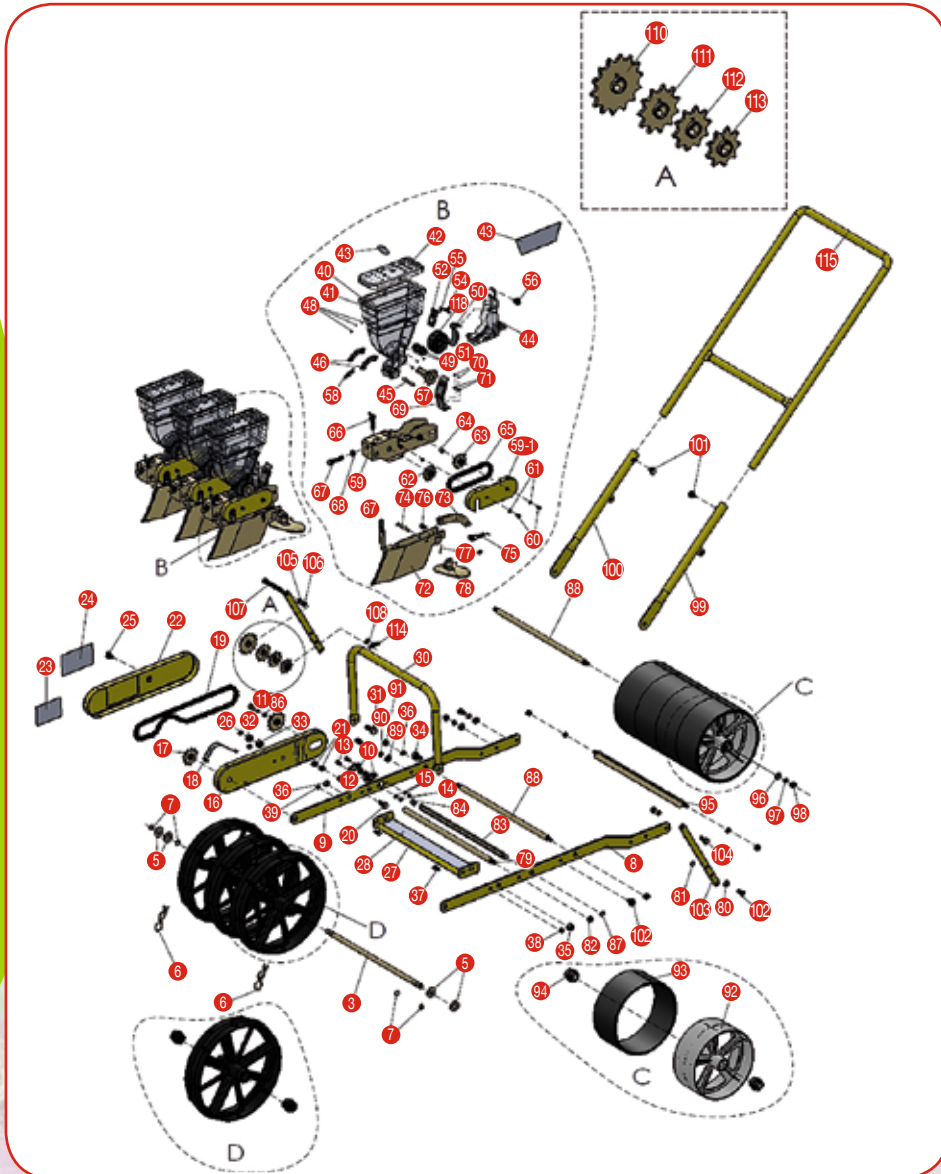
4 To remove the pin, turn it as shown in photo below and pull, to release the pin and the roller.



5 The roller can now be changed.

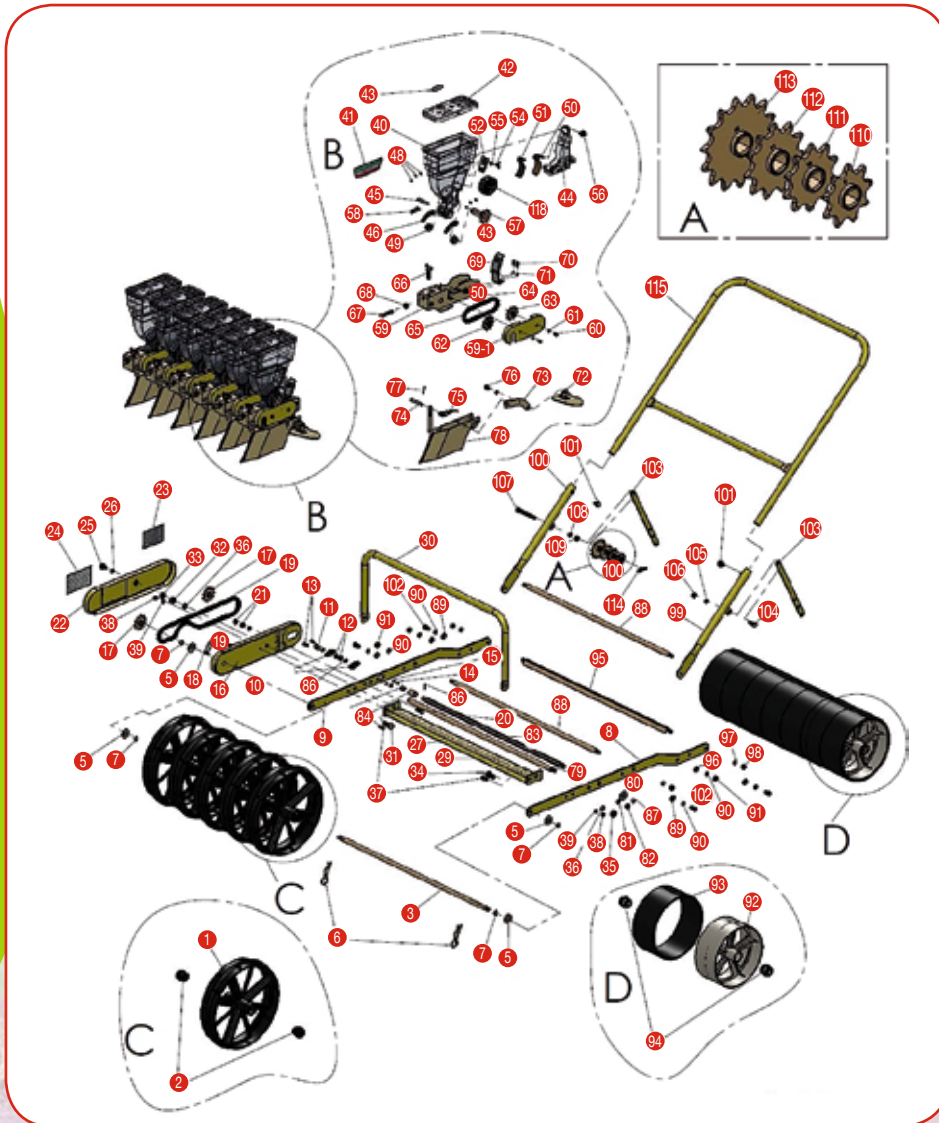


JP3: SPARE PARTS



N°	NAME	QTY	N°	NAME	QTY
1	Drive wheel	3	60	M5x10L nut	6
2	Drive wheel guard	4	61	M5 sealing washer	6
3	Drive wheel shaft	1	62	10 teeth sprocket	3
5	M12 washer	4	63	10 teeth free sprocket	3
6	Pin	2	64	8x10 Ring	3
7	Ring	4	65	Chain 410x26 links	3
8	Left side frame bar	1	66	M8x30L wing bolt	3
9	Right side frame bar	1	67	M8x40L nut	3
10	Bearing protection	2	68	M8 nut	3
11	Gear shaft Ø12x36.4L	1	69	Hopper release element	3
12	Bearing	2	70	M4x10L nut	6
13	M5x16L bolt	2	71	M4 sealing washer	6
14	M5 Nut	2	72	Shoe	3
15	Sealing washer M5	2	73	Shoe arm	3
16	Left chain box	1	74	Pin	3
17	11 Teeth sprocket	2	75	Tightener	3
18	Chain Guide	1	76	M6x10L nut	3
19	Chain 410x58 links	1	77	Pin	3
20	M8x20L screw	1	78	Filler blade	3
21	M8 nut	2	79	Front drive shaft	1
22	Right chain box	1	80	M8 washer	1
23	Sticker	1	81	M8 sealing flange	1
24	Seeding distance table	1	82	M8 nut	1
25	M6x11L Screw	1	83	12x376 hexagonal shaft	1
26	M6 Plate flange	1	84	Gear hub collar	1
27	Graduated bar for row spacing	1	85	One-way gear hub	1
28	Graduation	1	86	Pin	1
30	Handle	1	87	Ring	1
31	M10x27L nut	1	88	Rear drive shaft	1
32	M10 nut	1	89	M8 ring	4
33	M10 nut	1	90	M8 sealing flange	4
34	M10x20L nut	1	91	M8 nut	4
35	M10 nut	1	92	Compaction wheel	4
36	M10 sealing washer	1	93	Compaction wheel protection	4
37	M6x15L nut	2	94	Compaction wheel spacer	5
38	M6 nut	2	95	Compaction wheel scraper	1
39	M6 ring	2	96	M8 ring	2
40	Hopper	3	97	M8 Sealing flange	2
41	Sticker	6	98	M8 nut	2
42	Hopper cover	3	99	1 st part of the adjustable handle (L)	1
43	Sticker	3	100	1 st part of the adjustable handle (R)	1
44	Hopper – Collapsible part	3	101	M6x11 screw	2
45	Hopper drive shaft	3	102	M8x16L nut	4
46	Watertight seal	6	103	Handle mounting	1
48	+ fixation	18	104	M8 flange	1
49	Ring	6	105	M8 sealing washer	1
50	Seed guide	3	106	M8 nut	1
51	Seed guide felt	3	107	M8x60L nut	1
52	Brush	3	108	M8 sealing flange	1
54	M5x8L wing bolt	3	109	M8 nut	1
55	M5 plate flange	3	110	9 teeth sprocket	1
56	M5x9L flange	3	111	10 teeth sprocket	1
57	Hopper sprocket	3	112	13 teeth sprocket	1
58	Pin	3	113	14 teeth sprocket	1
59	Hopper block	3	114	M8 wing bolt	1
59-1	Chain box	3	115	Seeder handle	1
			118	Seeding roller	3

JP6: SPARE PARTS



N°	NAME	QTY	N°	NAME	QTY
1	Drive wheel	5	60	M5x10L nut	12
2	Drive wheel guard	6	61	M5 sealing washer	12
3	Drive wheel shaft	1	62	10 teeth sprocket	6
5	M12 washer	4	63	10 teeth free sprocket	6
6	Pin	2	64	8x10 Ring	6
7	Ring	2	65	Chain 410x26 links	6
8	Left side frame bar	1	66	M8x30L wing bolt	6
9	Right side frame bar	1	67	M8x40L nut	6
10	Bearing protection	2	68	M8 nut	6
11	Gear shaft Ø12x36.4L	1	69	Hopper release element	6
12	Bearing	2	70	M4x10L nut	12
13	M5x16L bolt	2	71	M4 sealing washer	12
14	M5 Nut	2	72	Shoe	6
15	Sealing washer M5	2	73	Shoe arm	6
16	Left chain box	1	74	Pin	6
17	11 Teeth sprocket	2	75	Tightener	6
18	Chain Guide	1	76	M6x10L nut	6
19	Chain 410x58 links	1	77	Pin	6
20	M8x20L screw	1	78	Filler blade	6
21	M8 nut	2	79	Front drive shaft	1
22	Right chain box	1	80	M8 washer	1
23	Sticker	1	81	M8 sealing flange	1
24	Seeding distance table	1	82	M8 nut	1
25	M6x11L Screw	1	83	12x376 hexagonal shaft	1
26	M6 Plate flange	1	84	Gear hub collar	1
27	Graduated bar for row spacing	1	85	One-way gear hub	1
28	Graduation	1	86	Pin	1
30	Handle	1	87	Ring	1
31	M10x27L nut	1	88	Rear drive shaft	1
32	M10 nut	1	89	M8 ring	4
33	M10 nut	1	90	M8 sealing flange	4
34	M10x20L nut	1	91	M8 nut	4
35	M10 nut	1	92	Compaction wheel	7
36	M10 sealing washer	1	93	Compaction wheel protection	7
37	M6x15L nut	2	94	Compaction wheel spacer	8
38	M6 nut	2	95	Compaction wheel scraper	1
39	M6 ring	2	96	M8 ring	2
40	Hopper	6	97	M8 Sealing flange	2
41	Sticker	12	98	M8 nut	2
42	Hopper cover	6	99	1 st part of the adjustable handle (L)	1
43	Sticker	6	100	1 st part of the adjustable handle (R)	1
44	Hopper – Collapsible part	6	101	M6x11 screw	2
45	Hopper drive shaft	6	102	M8x16L nut	4
46	Watertight seal	12	103	Handle mounting	2
48	+ fixation	36	104	M8 flange	1
49	Ring	12	105	M8 sealing washer	1
50	Seed guide	6	106	M8 nut	1
51	Seed guide felt	6	107	M8x60L nut	1
52	Brush	6	108	M8 sealing flange	1
54	M5x8L wing bolt	6	109	M8 nut	1
55	M5 plate flange	6	110	9 teeth sprocket	1
56	M5x9L flange	6	111	10 teeth sprocket	1
57	Hopper sprocket	6	112	13 teeth sprocket	1
58	Pin	6	113	14 teeth sprocket	1
59	Hopper block	6	114	M8 wing bolt	1
59-1	Chain box	6	115	Seeder handle	1
			118	Seeding roller	6

CONSUMABLES

NAME	REPLACEMENT
Brush	These elements are subject to wear and tear. They should be replaced therefore when they can no longer carry out their function.
Chain Guide	
Spongy rubber drive wheel cover	
Spongy rubber compaction wheel cover	

ADD-ON HOPPER

→ THIS OPTION ALLOWS TO INCREASE THE STANDARD HOPPER CAPACITY FROM 1.2L TO 3L.



- 1 Take the hopper cover off.
- 2 Place the add-on on the top of the hopper, to superimpose the holes of the hopper to the holes of the add-on.
- 3 Screw the white knobs. The cover of the hopper can be placed at the top of the add-on.

THE ROW-MARKER

→ DOUBLE ROW SHOE:

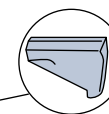
It allows to sow two rows, distant of 45mm, by seeding unit.



It is delivered with a plastic seed divider.

To get a higher density, we recommend to use a roller with 30 or 36 holes.

Recommended for radish, carrot, small vegetable...



standard soil opener



"double row" soil opener option



→ SOIL OPENERS: (exist in 60mm, 75mm and 120mm wide)

Allows sowing in bed, rather than in line.

In the case of sowing in seed nursery, it allows a better cover of soil surface, and then a better density is obtained.



→ DISC SOIL OPENER :

It is recommended for stony and tough soil.

SETTING OF THE SHOES

1 Remove the standard shoe unscrewing the bolt, as shown on the picture.

2 Mount the shoe to be used and screw the bolt.

Caution: do not force to screw. As soon as the shoe is maintained, stop screwing.



